

# VERO



## EXPOSED BATH MIXER

PRODUCT ID

SD91221

### FEATURES

- Brass Body with Zinc Lever
- Chrome Finish

### INCLUDED COMPONENTS

- 35mm Ceramic Cartridge
- Neoperl Aerator
- Fixing kit

### FLOW RATE: L/MIN

Water pressure	1bar	2bar	3bar	4bar	5bar
1bar-5bar(L/MIN)	9.8	14.0	17.4	20.1	22.2

### REMARKS

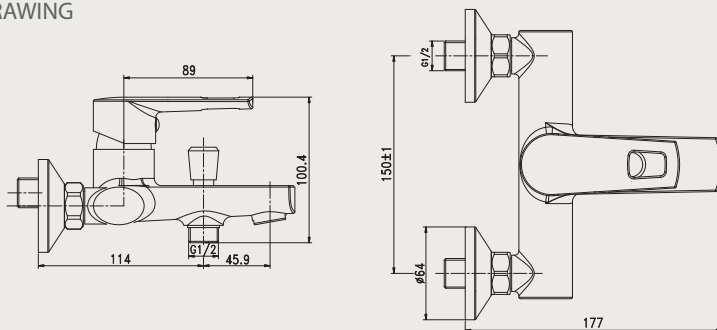
- Quality standard apply with EN 817 regulation;
- \* Plating thickness passes NSS 200H test under lab conditions

### WARRANTY

- ROCELL BATHWARE guarantees all its Chrome plated ranges of mixers and taps for a period of 5 years from the date of purchase against defect of work or materials, except for the electronic parts and the internal components such as ceramic cartridges, headworks and thermostatic cartridges which are guaranteed for a period of 2 years.

The guarantee is only offered when products are installed and cared for in line with proper fitting and maintenance methods.

### TECHNICAL DRAWING



Royal Ceramics Lanka PLC.

No.20, R.A. De Mel Mawatha, Colombo 03, Sri Lanka.

☎ 076 6 223 344 ✉ info@rcl.lk 🌐 www.rocell.com

FOLLOW US



\*\* Dimensions of fixtures are nominal and may vary within the range of tolerance. These measurements are subject to change or cancellation. No responsibility is assumed for use of superseded or voided leaflet.